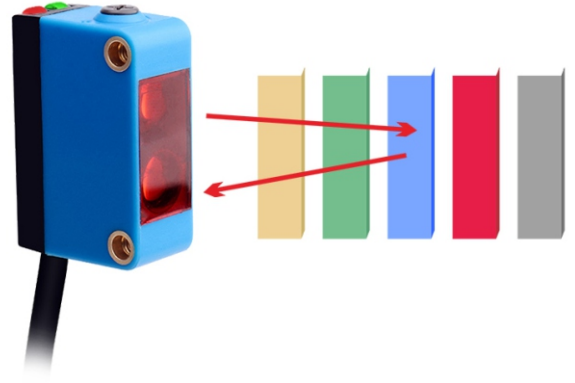





# Background Suppression Photoelectric Sensor

## Product Features

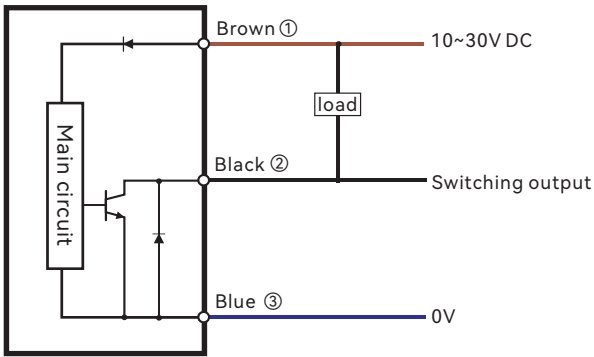
- Unaffected by target color and background color, objects can be detected accurately;
- High precision, small differential distance, can detect small step difference;
- Anti-interference, can also resist variable frequency fluorescent lamps based on unique external interference light avoidance algorithm;
- Perfect application of BGS function, no need to adjust the detection distance even when changing production on the production line where different color workpieces are circulated;



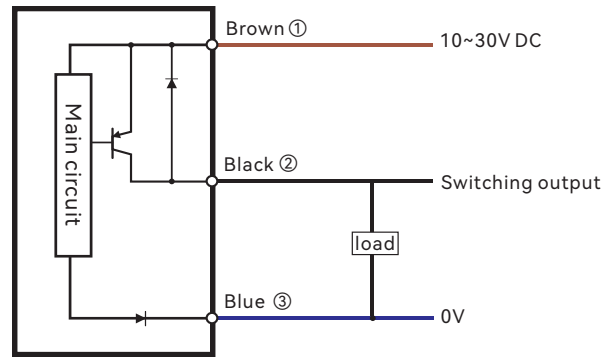
## Product Specifications

Appearance				
Detection method		Diffuse	Diffuse	Diffuse
Model	NPN output	GB43-10N-ZAA	GB43-30N-ZAA	GFL43-30N-ZAA
	PNP output	GB43-10P-ZAA	GB43-30P-ZAA	GFL43-30P-ZAA
Detection distance		30-100mm (adjustable)	30-300mm (adjustable)	30-300mm (adjustable)
Sensor principle		Photoelectric sensor	Photoelectric sensor	Laser sensor
Detection principle		Background suppression function		
Settings		5-turn potentiometer		
Casing material		PC		
Light source		Visible LED red light		
Working voltage		10-30VDC		
Maximum load		150mA		
Switching frequency:		100Hz		
Response time:		5ms		
Protection level		IP65		
Standard cable length		2M		
Switch type		Normally open/normally closed		
Light spot size		5-20mm The farther the distance, the larger the light spot		2mm (focusing without diffusion)

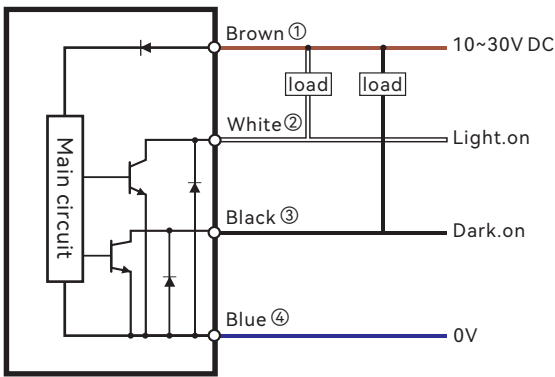
## Input/Output Circuit



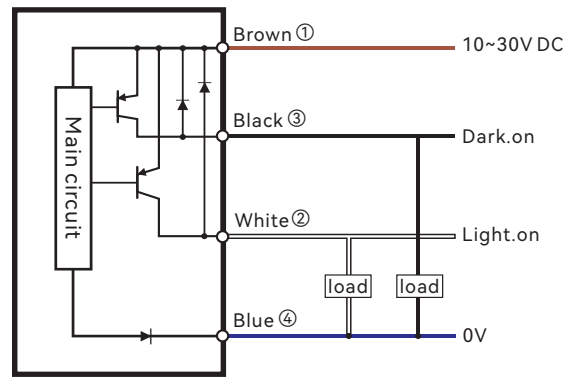
DC 3 line NPN



DC 3 line PNP

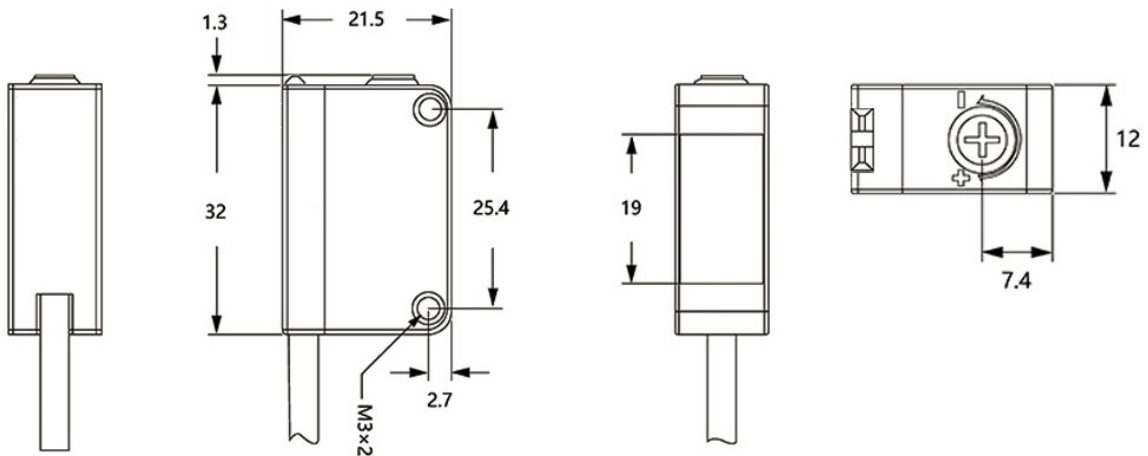


DC 4 line NPN



DC 4 line PNP

## Product Specifications



Unit: mm